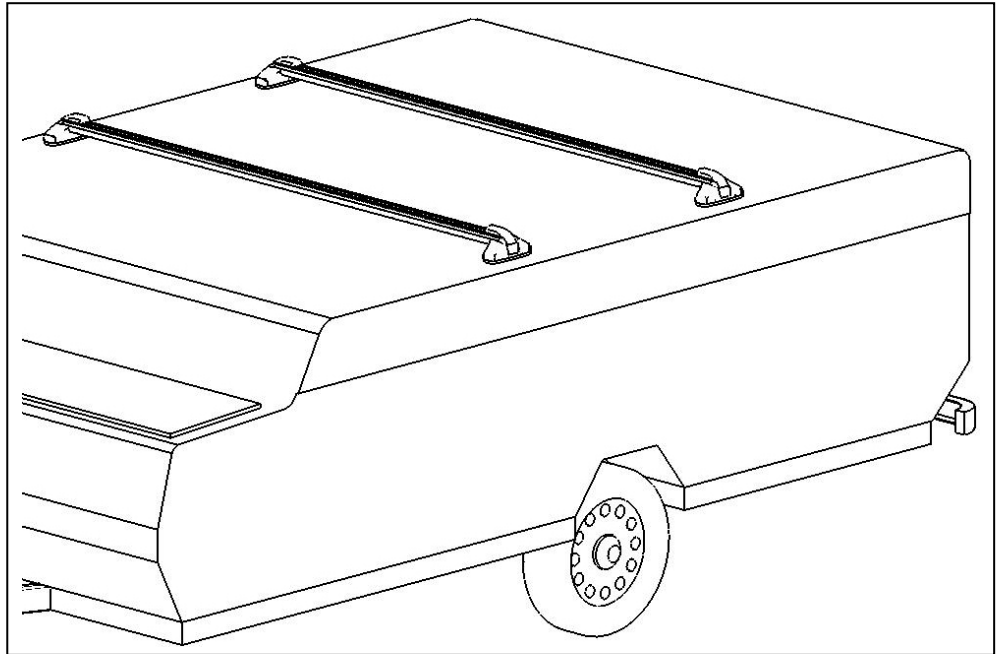




Tent Trailer Permanent Mount Rack Installation Instructions – Screw Mount



Package Contents:

- (1) Hex Key
- (4) Mounting Brackets
- (4) U- Clips
- (4) Permanent Mount Pads
- (4) ¼-20 x 1-1/2" Hex Head Screw
- (4) ¼-20 x 9/16" Narrow Shoulder Button Head Screws
- (16) #10 x 7/8 Wood screws

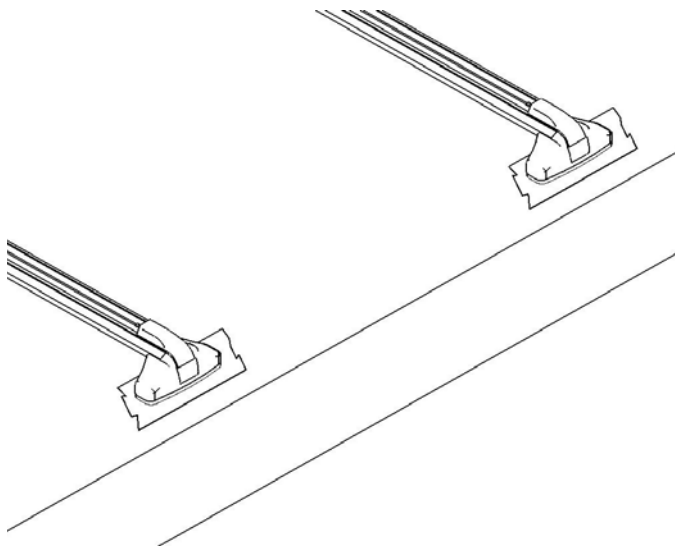
1. Please read the recommended crossbar distance in section 5 for specific products.

Position front and rear crossbars on roof of trailer.

Recommended center to center spacing of crossbars is 35" when using ProRac accessories unless noted.

Place masking tape on roof directly under each rack foot.

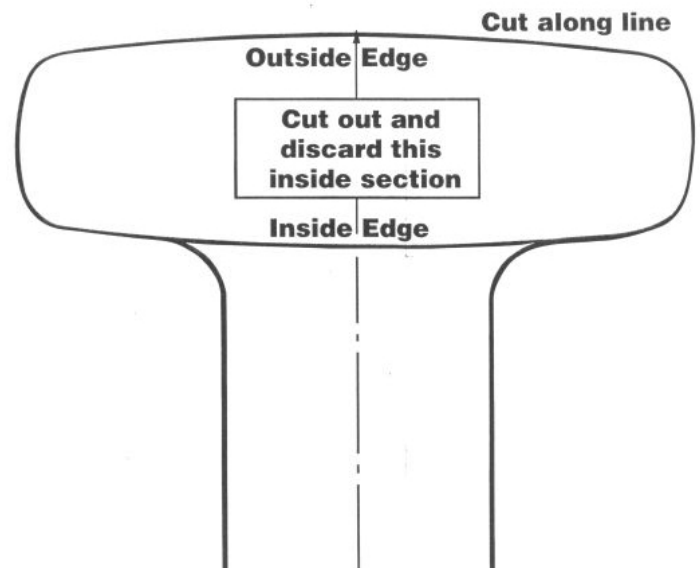
Outline base of each foot on tape using marker or pen.



2. Cut out foot template (see attached page) and place on each outline.

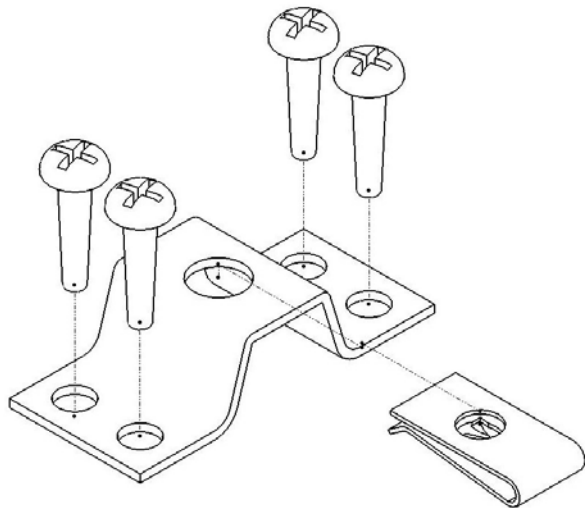
Place a mounting bracket in the center cutout and mark the two bolt hole locations closest to the outside roof edge.

Repeat four times.



3.
Mount four brackets to roof using the #10 x 7/8" wood screws. All screws should penetrate the wood framework of the top when the crossbars are correctly positioned.

Attach U-Clip to each bracket. ⚠ Make certain that the U-clip is oriented as shown!!!



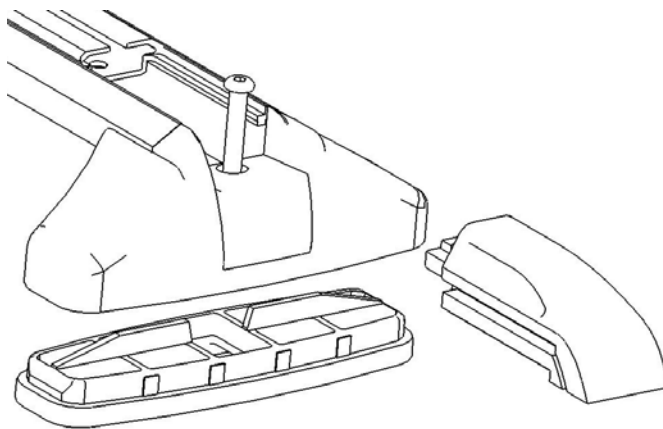
4.
Snap permanent mount pads into each crossbar foot.

Remove crossbar end caps and place cross bars on brackets.

Attach with 1/4-20 x 1-1/2" hex head screws and tighten with hex key.

Reinstall end caps to crossbars and secure with 1/4-20 narrow shoulder 9/16" screws.

Store hex key in convenient location. Installation is complete.



5.
Recommended location of crossbars for the following accessories:

- 1) FGAT874-1 Water Sport / Canoe Carrier. Crossbars may be located in the forward position and in the rear. Note that this will only work for transporting Watersports.
- 2) FGAT1599 Sport Bike Carrier. Crossbars need to be mounted 29" or less to accommodate the Sport Bike Carriers. Note the Deluxe Bike Carrier will also work at this distance.
- 3) FGAT911 Deluxe Bike Carrier. Crossbars may be mounted at the recommended distance apart. Note if using the Sport Bike Carrier along with the Deluxe Bike Carrier you need to refer to instruction 2.
- 4) FGAT874 & FGAT1599 or FGAT911 you may need to order a third crossbar if your Watersport is over 16' ft. long.

PRO RAC GUIDELINES

Please review the instructions and warranty carefully. Assembly and installation are the purchaser's responsibility and beyond ProRac's control. Therefore, ProRac exclusively limits its warranty to the repair or replacement of a defective ProRac product for up to three years from retail purchase. Warranty excludes damage to your vehicle, cargo, or any person or property during assembly, installation, and use.

- ◆ Do not carry more than 150 pounds (68KG) of combined cargo and accessories on ProRac crossbars. ProRac crossbars do not increase gutter or roof strength. ProRac cannot warranty loads that exceed this limit.
- ◆ Do not use ProRac crossbars and accessories for purposes other than those for which they were designed. Do not exceed their carrying capacity. Failure to follow these guidelines or the product instructions will void the warranty.
- ◆ Make sure all knobs, bolts, screws, straps, and locks are firmly attached, tightened, and locked before every trip. All fasteners must be periodically inspected for signs of wear, corrosion, and fatigue. Check your load at stops during long trips to ensure continued fastening security.
- ◆ Check all local and state laws governing projection of objects beyond the width and length of vehicle. Be aware of the width and height of your cargo since low-clearance branches, bridges, and parking garages can affect the load. Never drive with any lock, knob, or rack in an open or unlocked position. All long loads such as, but not limited to, sailboards, surfboards, kayaks, canoes, and lumber must be tied down front and rear to the bumpers or tow hooks of the vehicle.
- ◆ Remove your rack and accessories when they are not in use and before entering automatic car washes.
- ◆ All locks must be turned and moved periodically to ensure smooth operation. Use graphite or similar dry lubricant. Locks are designed to deter vandalism and theft. Remove valuable gear if your vehicle is unattended. Replacement keys are available only through your ProRac dealer.
- ◆ All cargo will affect the vehicle's driving behavior. For your safety, adapt your speed to the conditions of the road and load being carried. Obey all posted speed limits and traffic cautions.
- ◆ Due to their wind resistance, do not carry disks or wheels with covers on the ProRac bike carrier.
- ◆ Consult your ProRac dealer if you have questions regarding the operation and limits of ProRac products. Review all instructions and warranty information carefully.

© 2006 ProRac Systems, Inc.

SAH303-8I
Revised 06-14-06

ProRac Systems Inc.
7109 31st Avenue North
Minneapolis, MN 55427-2848

Toll Free: 1-800-217-7133
Phone: 763-546-5620
Fax: 763-546-0933
WWW.PRORAC.COM

